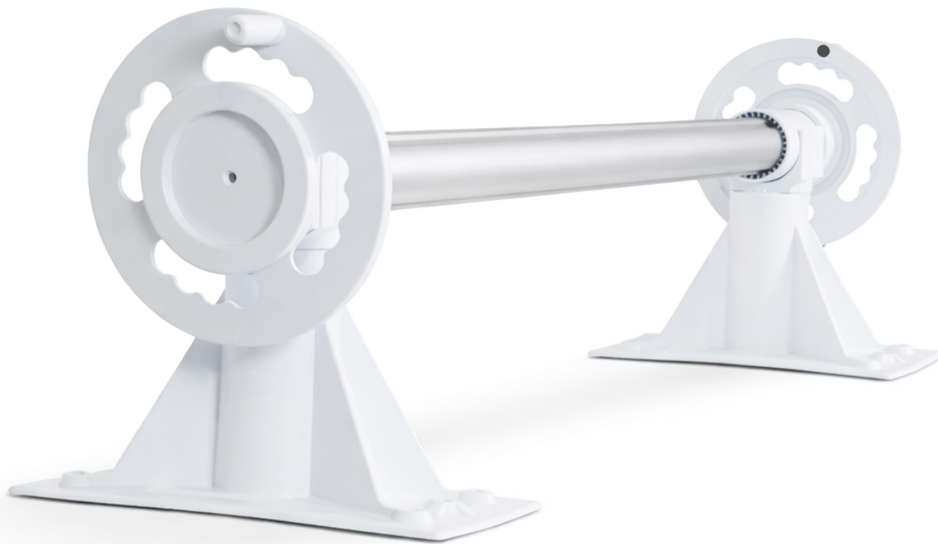


Stationary Solar Cover Reel

Owner's Manual



SR166-W



Scan to register your
product warranty

GoPool

Warranty registration

Thank you for choosing GoPool! Register your product today to activate your warranty and get quick, hassle-free support when you need it.



Scan to register your product warranty



WARNING

This equipment must be installed and serviced according to the information found in this manual. Improper installation can create hazards which could result in property damage, serious injury or death. Improper installation will void the warranty.

Table of contents

Warning and Maintenance.....	1
Part numbers	2
Steps	3
Structure and parts	7



Drowning Risk

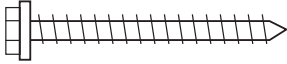


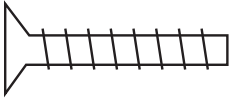



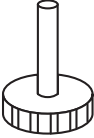
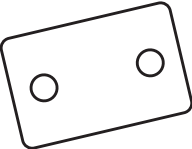

- Do not sit or stand on the reel system.
- Do not walk on the cover; it will not support a person's weight.
- Keep children and pets away from the cover.
- Remove any standing water from the cover.
- Children can drown on top of the cover.
- Remove the cover completely before entering the pool.
- An improperly secured cover is a safety hazard.
- Do not allow anyone to swim under the cover.
- Failure to follow these instructions may result in injury or drowning.

Maintenance

- When the cover is not in use, store it away from direct sunlight and excessive heat.
- If the cover and reel will not be used for an extended period, rinse and dry them thoroughly to remove chemical residue.
- Periodically inspect all hardware components and tighten or replace them as necessary.

Part Numbers



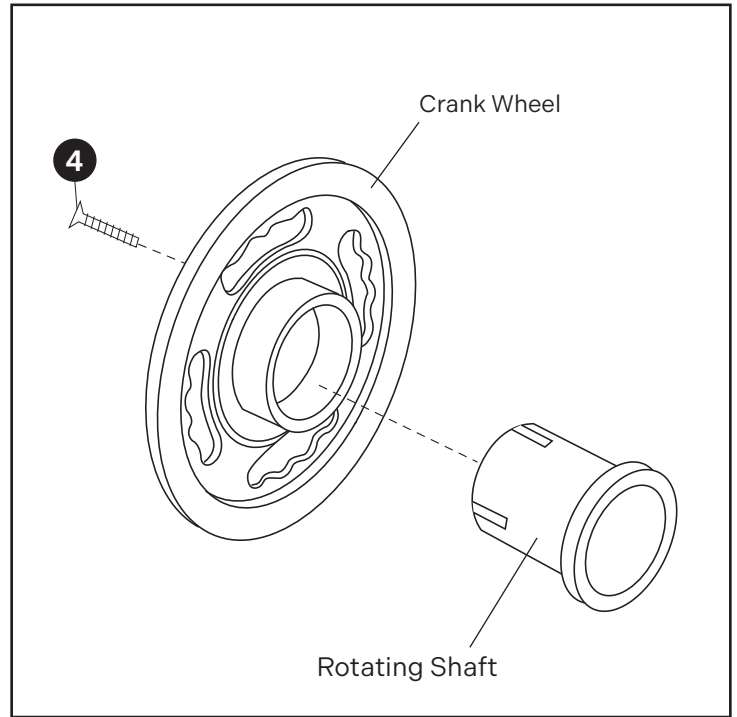
<p>1 x 9</p> 	<p>2 x 4</p> 	<p>3 x 4</p> 	
<p>4 x 2</p> 	<p>5 x 10</p> 	<p>6 x 10</p> 	
<p>7 x 8</p> 	<p>8 x 8</p> 	<p>9 x 10</p> 	<p>10 x 5</p> 

Steps



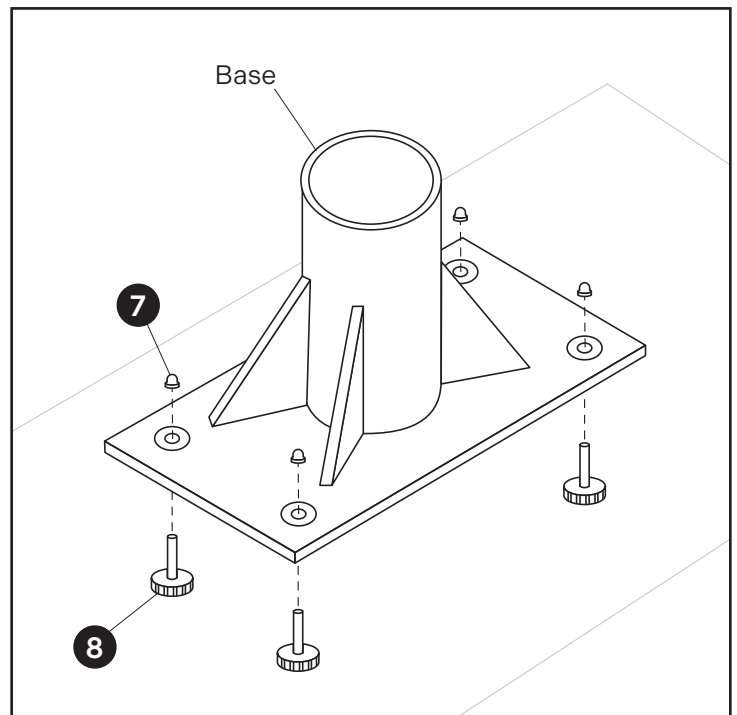
STEP 1:

Secure the crank wheel to the rotating shaft using screw (4).



STEP 2:

Insert the legs into the base.



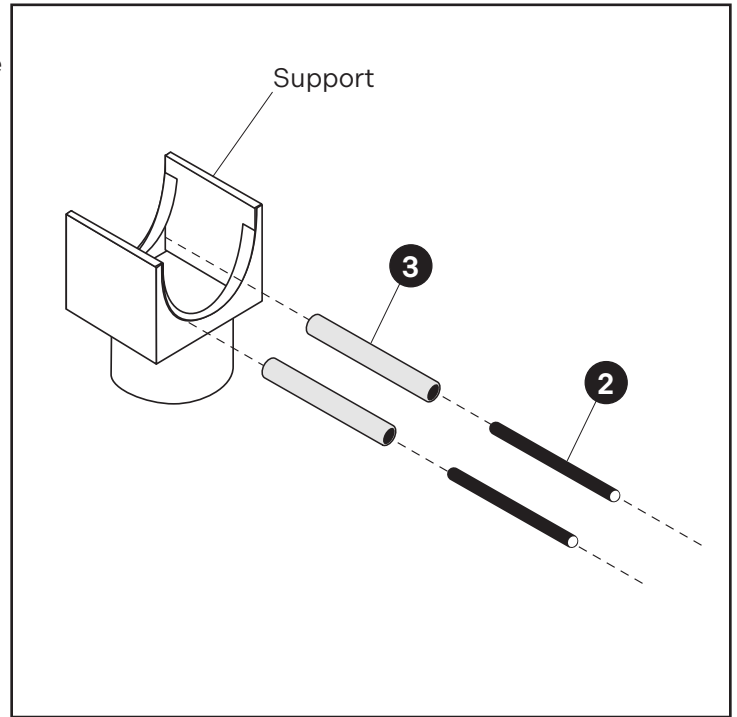
Next →

Steps



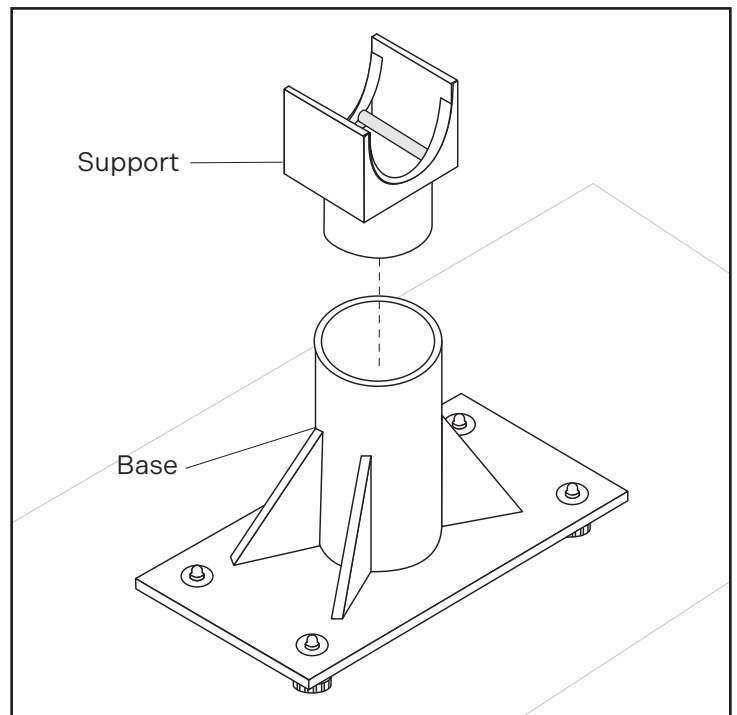
STEP 3:

Insert the steel pin into the plastic bearing tube and place the assembly into the support to create a roller bearing.



STEP 4:

Place the support into the base assembly.



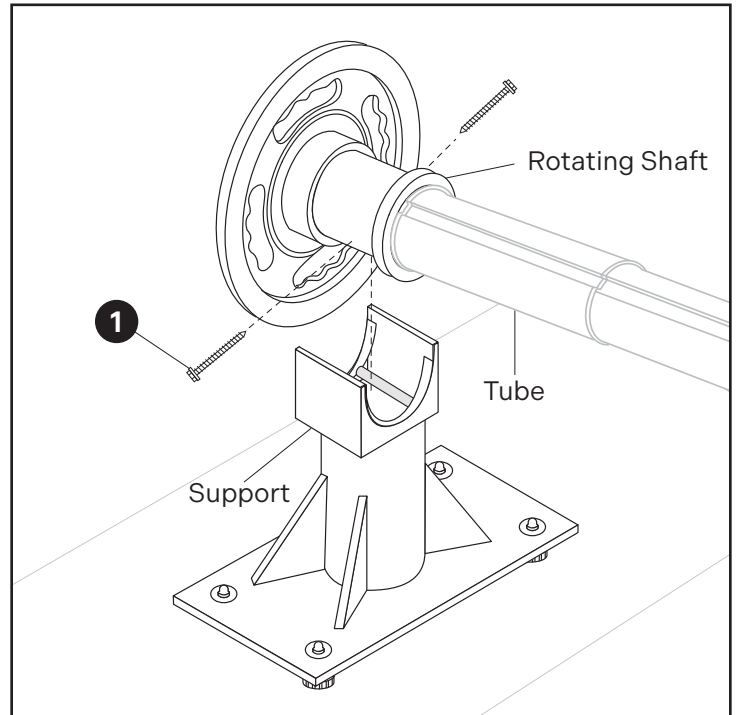
Next →

Steps



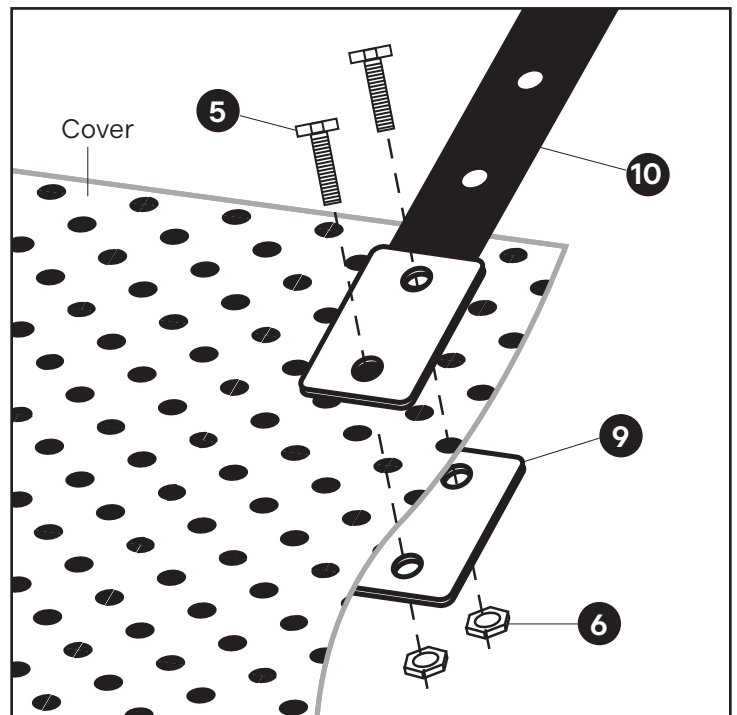
STEP 5:

Secure the rotating shaft to the aluminum tubes using two screws **(1)** (Pre-drill holes with a 5/32" drill bit), then place the assembly into the supports.



STEP 6:

Attach the straps **(10)** to the solar cover using ten nylon plates **(9)**, ten nylon bolts **(5)**, and ten nylon nuts **(6)**.



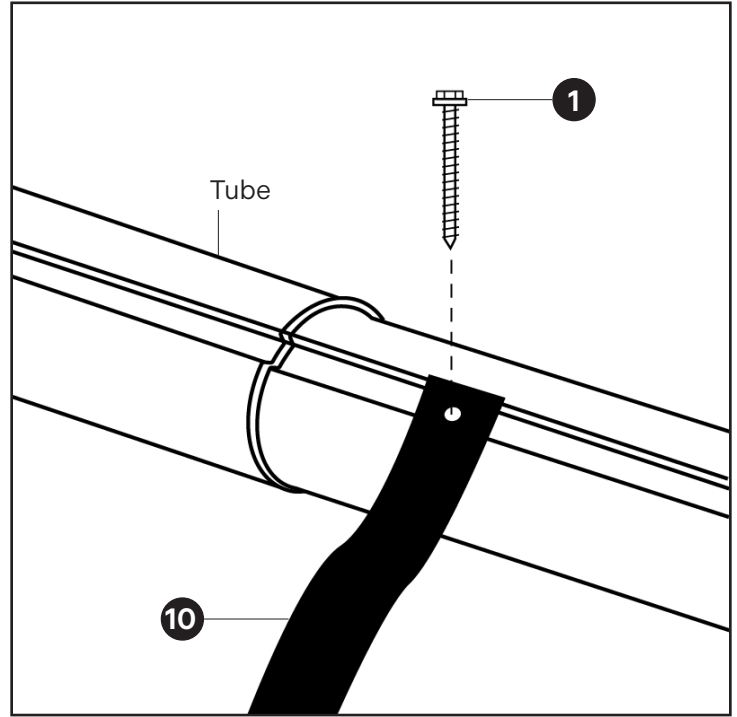
Next →

Steps



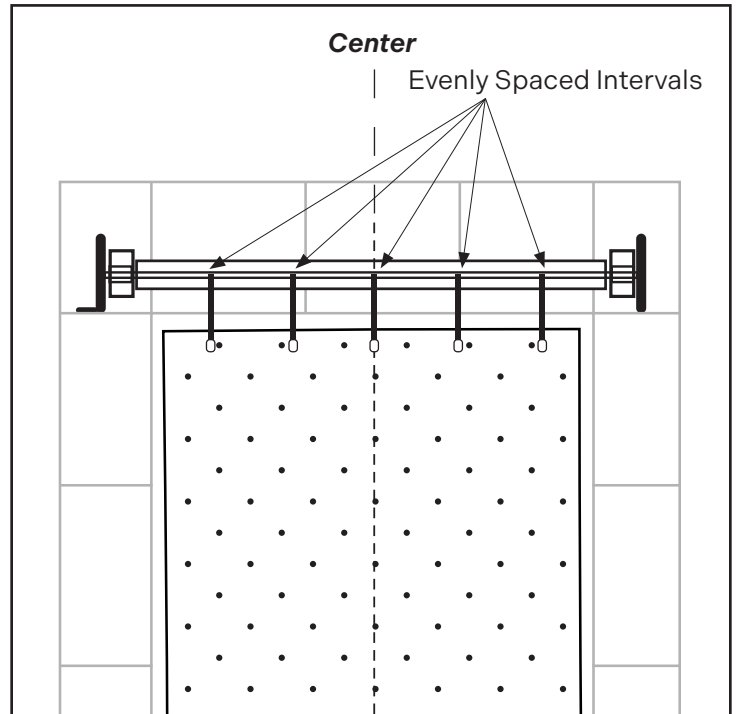
STEP 7:

Secure the straps **(10)** to the tubes using five screws **(1)**, evenly distributed along the tube length and aligned with the center of the pool (Pre-drill holes using a 5/32" drill bit).

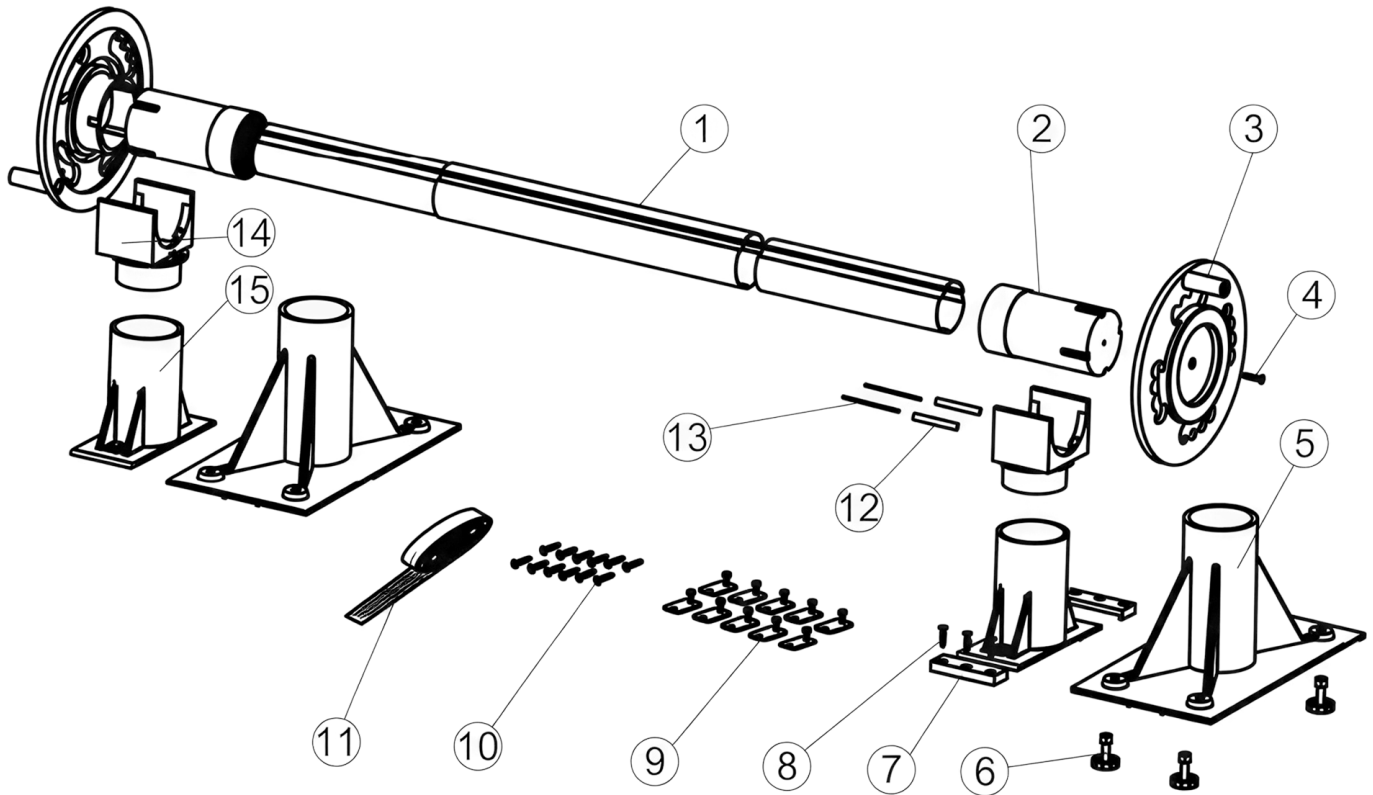


IMPORTANT:

To determine the spacing of the straps on the tube and the solar cover, measure the maximum width of the pool (inside edges). The straps must be attached to the tube and the solar cover at evenly spaced intervals along the length and centered with the pool.



Structure and Parts



Ref. No.	Part No.	Description	Quantity
1	94192	Aluminum Tube Assembly	1
2	649413302	Rotating Shaft	2
3	649413301	Crank Wheel	2
4	65211011000	Screw ST5.5x25	2
5	649416603	Base	2
6	649416672	Legs	8
9	649413373003	Solar Cover Reel Straps	10
10	65211012000	Screw ST6.5x25	9
11	65747017080	Strap	10
12	65748021001	Plastic Tube	4
13	65320018000	Stainless Steel Pin	4
14	649413303	Support	2

Use only genuine GoPiscine replacement parts.

GoPool

Need parts or accessories ?
GoPool.com